

New Mold Creation



Project Sales Price: Suggested Retail Price: Invoice Number:

Project Information

Client Name:
Project Name:
Project Description:

Mold Information

Mold Type: Rubber Fiberglass
Mold Classification: Coping Non-Coping

..... Fill out this section if your classification is "Coping"

Direction: Radius: FEET Finished Sides:

Width: INCHES
 Round
Height: INCHES
Length: INCHES
Weight: LBS.
Volume: INCHES³
Used for: Concrete GFRC
Quantity:
Suggested Part #:

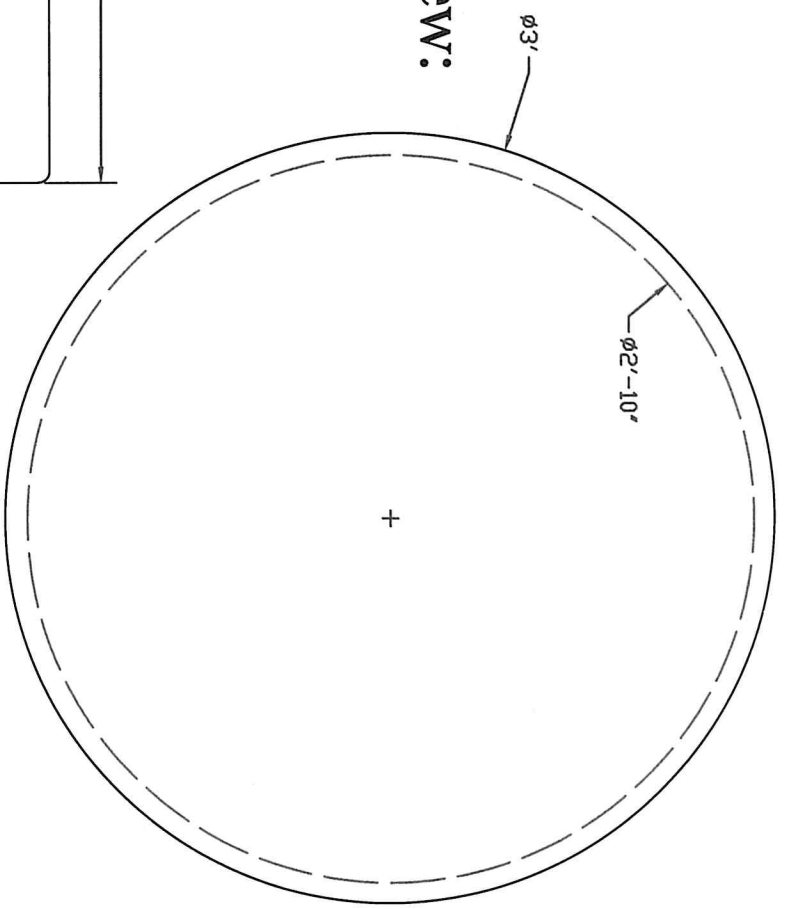
Mold Location Information

Facility: Rack: Shelf: Bin:

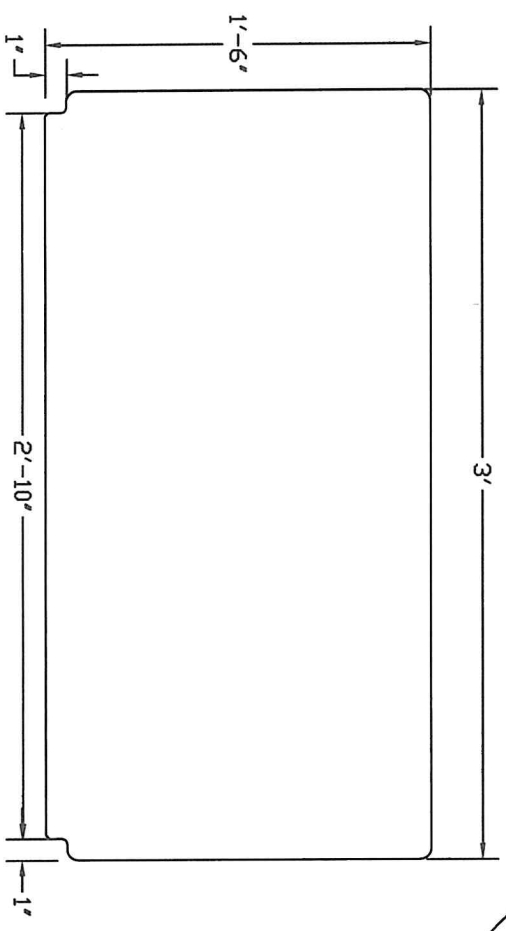
Description & Notes

Custom Round Seat - 36" wide / round x 18" tall w/ 1/2" round over edges + 1" reveal along the base edge

Top View:



Profile View:



PHOENIX PRECAST PRODUCTS

Drawn By B.L.

7/8/2022

Atmosphere- Custom Round Seat Walls- 36"
Round/Wide x 18" Tall with $\frac{1}{2}$ " Round Over Edges
And 1" Reveal Along The Bottom Edge/Base

APPROVAL SIGNATURE